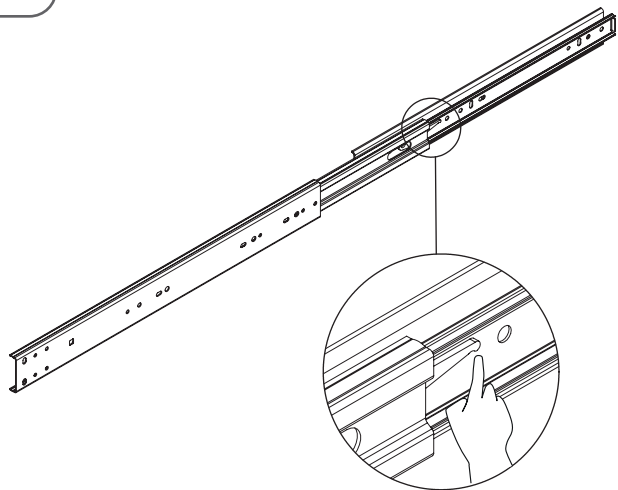
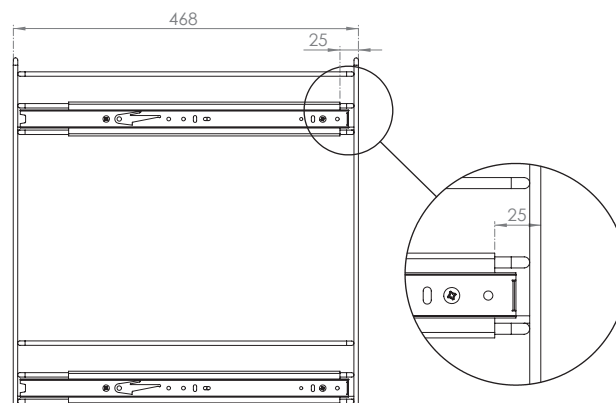


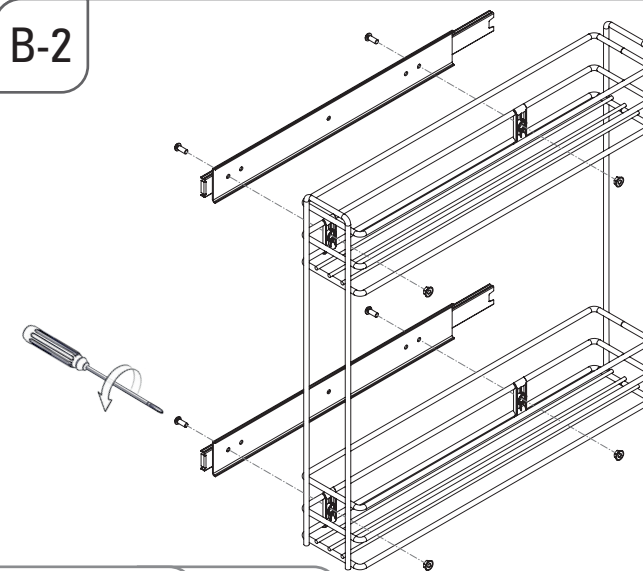
A-1



B-1



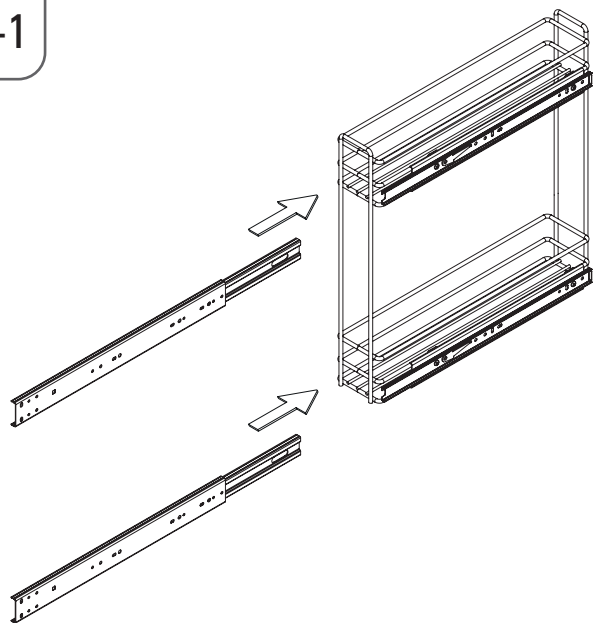
B-2



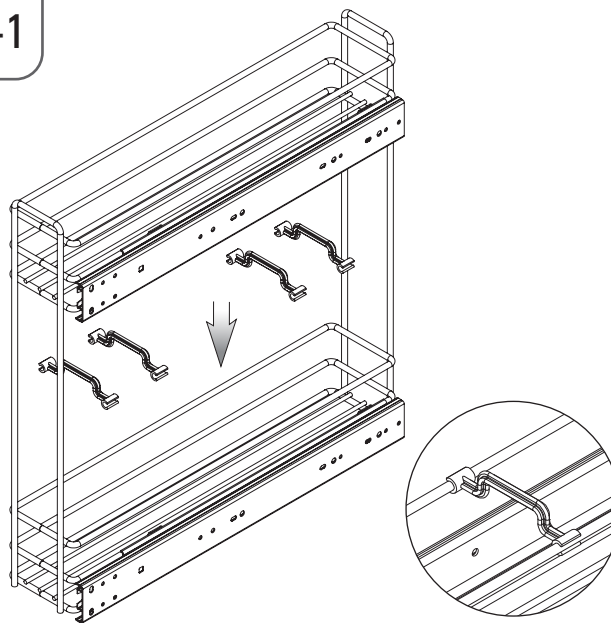
4x YSB  
M5x12

4x  
NUT

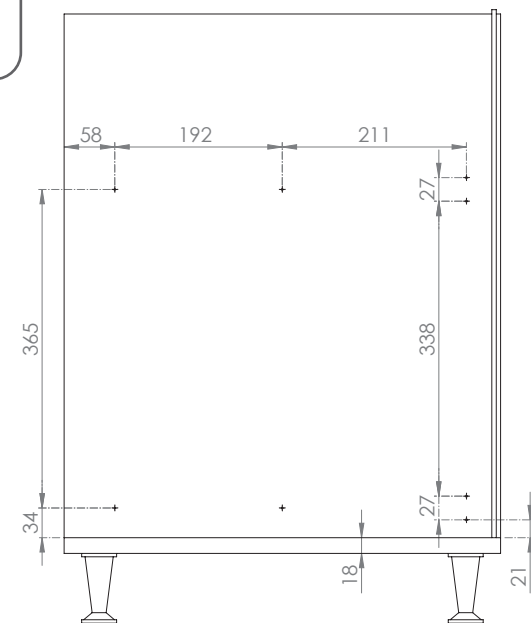
C-1



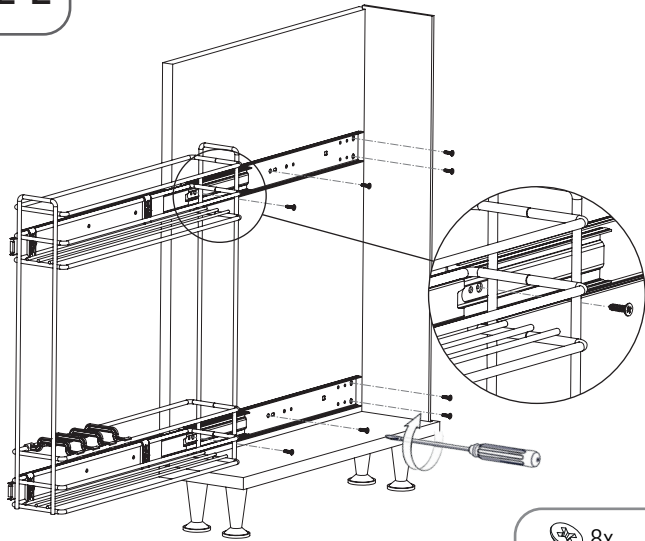
D-1



E-1

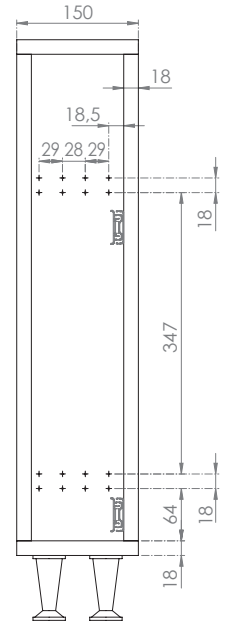


E-2

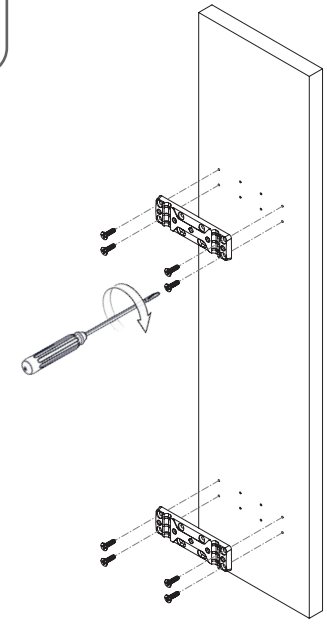


8x  
3.5x16

F-1

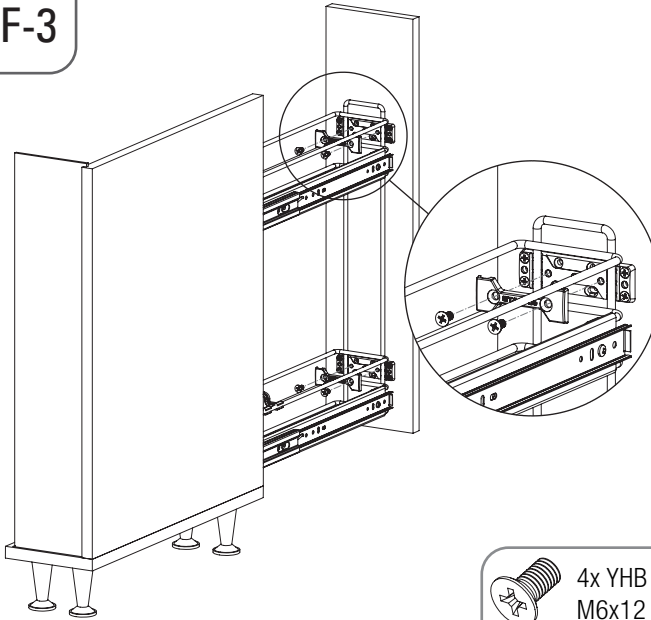


F-2



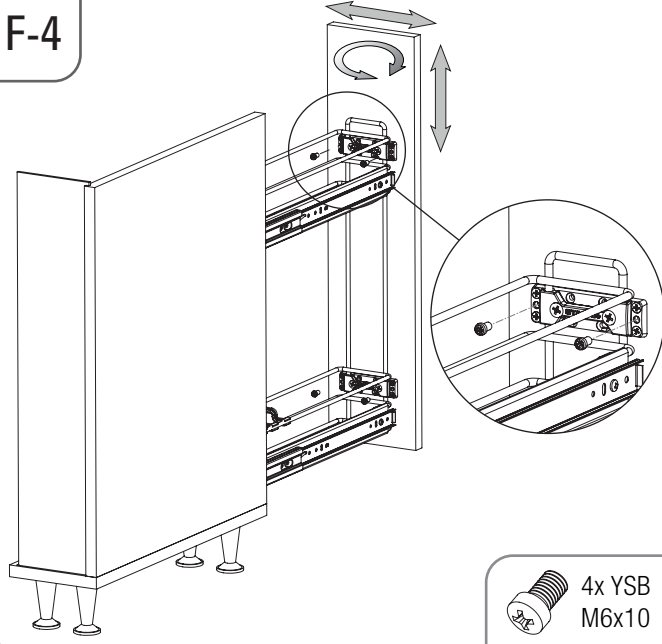
8x  
3.5x16

F-3



4x YHB  
M6x12

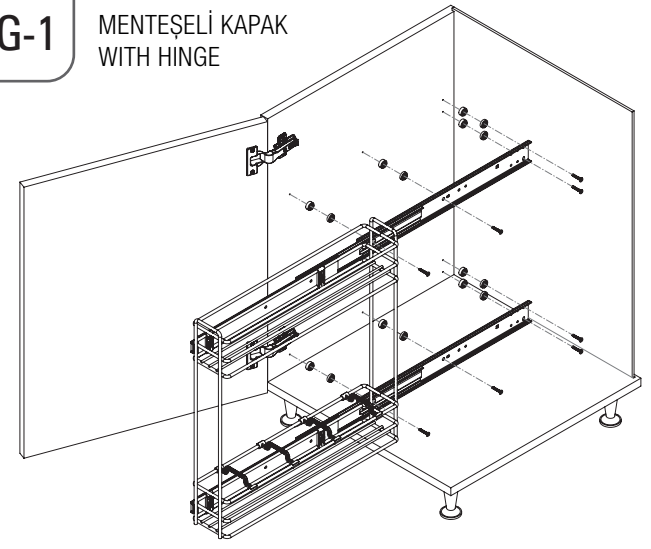
F-4



4x YSB  
M6x10

G-1

MENTEŞELİ KAPAK  
WITH HINGE



8x Support  
Part (Thin)

8x Support  
Part (Thick)

8x  
4x25